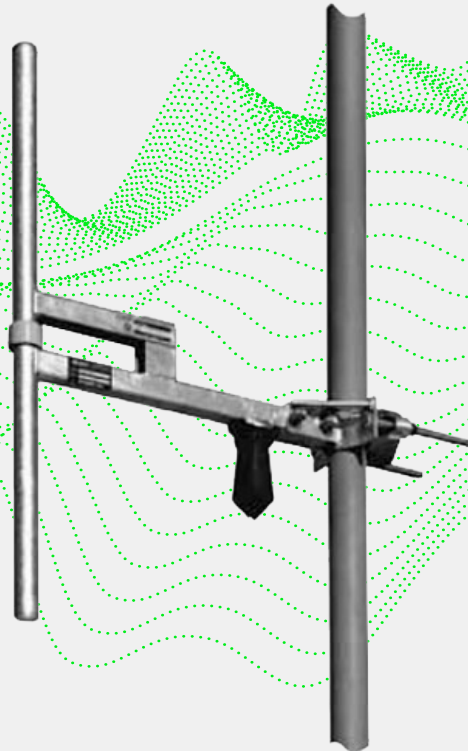


RFE

MAKING
BROADCAST
SMARTER

Detachable Dipole Antenna RFX-D

ANTENNA SYSTEMS



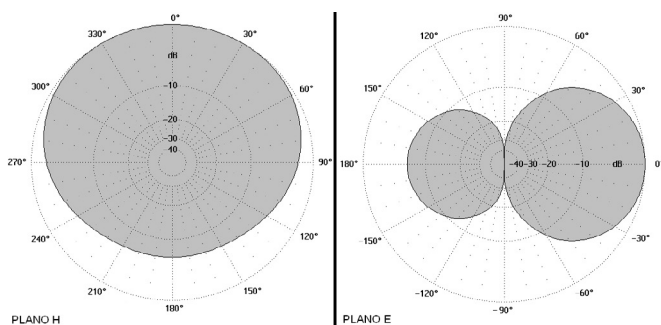


Detachable Dipole Antenna RFX-D



PRODUCT DESCRIPTION

RFX-D is a detachable dipole antenna, with linear polarization and omnidirectional pattern. Ideal for all power broadcast application is detachable for easy packing and shipping.



MAIN FEATURES

- 87,5-108 MHz Broadband.
- Suitable for collinear stacks.
- Robust construction in stainless steel
- Linear polarization
- Omnidirectional
- Low-medium power
- Detachable for easy packing and shipping





**ELECTRICAL
DATA**

Frequency Range	87.5÷108 MHz
Gain [referred to half wave dipole]	2.1 dB
VSWR	≤1.3÷1 BROADBAND
Half Power Beam Width	E plane 80° H plane 210°
Polarization	Linear
Connector	N or DIN 7/16"
Max Power Rating with N connector	600 W
Max Power Rating with DIN 7/16 connector	2 kW
Input Impedance	50 Ω
Lighting Protection	DC Grounded

**MECHANICAL
DATA**

Size [A x B x C]	1355 x 960 x 40 mm
Wind Load	16 Kg @ 160 Km/h
Max Wind Speed	Front 220Km/h Side 200Km/h
Materials	Body and screw in stainless steel AISI 316, internal parts in silver-plated copper and PTFE.
Mounting	Suitable mast diameter: 50 - 100 mm
Weight	3.5 kg
Packing [AxBxC]	1400 x180 x 100 mm

NOTE: RADIATION PATTERN, GAIN AND HALF POWER BEAM WIDTH ANALYZED WITH TOWER INFLUENCE

N° OF BAYS	N° OF FACES	GAIN [dBd]	LENGTH mm
1	1	1,5	1500
2	1	4,5	4500
3	1	6,2	7500
4	1	7,5	10500
5	1	8,5	13500
6	1	9,3	16500
7	1	10,0	19500
8	1	10,5	22500
9	1	11	25200
10	1	11,5	28500

